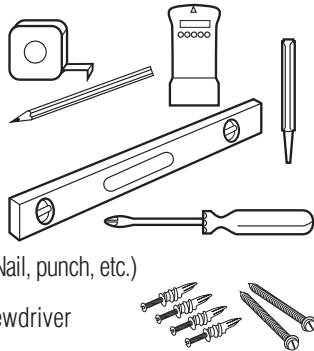


HIDE AWAY™ Slim-Line

Low profile wall mounted ironing board

Tools needed:

- Tape Measure
- Pencil
- Stud Finder
- Level
- Awl (or equivalent. Nail, punch, etc.)
- Philips Head Screwdriver
- Drywall anchors and screws (provided)

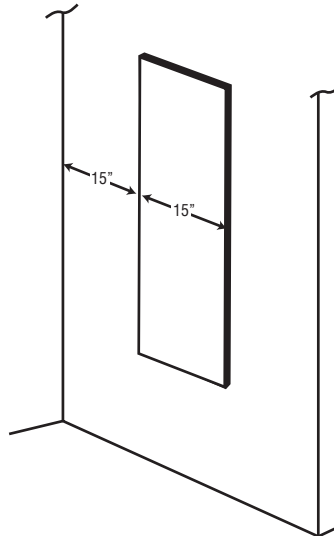


It is recommended that you have someone assist you in this installation. While it can be done without assistance, it will be an easier project with the aid of a helper.

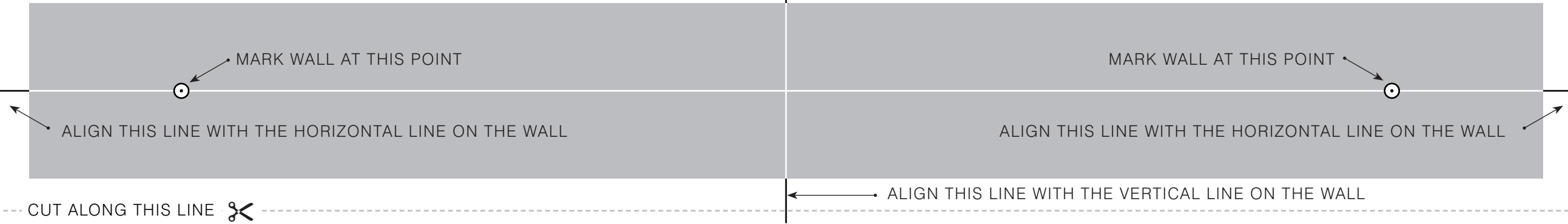
Mounting your New Slim-Line 100 Ironing Board

1. Determine Location

Find a location for your new Slim-Line that will best serve your ironing needs. Make sure that there is plenty of room for the unit when the door is open. Allow a minimum of 30 inches horizontally for your unit (762mm). The door will need at least 15 inches (381mm) of clear space to open.



DRILL HOLE TEMPLATE



2. Marking the Wall

The Slim-Line ironing board is designed to be either installed between two typical 16" (406.40mm) on center studs, or to straddle one stud. Locate the wall studs using a stud finder and mark the wall.

The standard height for an ironing board is 38" (965.20mm) above the floor. For your ironing board to be at that height first measure from the floor 75 1/2" (1.92 meters) and mark the wall. This is the location of the top drywall anchors will be located. If you wish your board to be higher or lower add or subtract to this figure.

Note: These instructions are for mounting the Slim-Line 100 by use of the drywall anchors and bolts. It is possible to use the center top hole in the unit and screw directly into a stud. If you choose to mount your unit by screwing it to the stud, you will need to first set up your two lower drywall anchors before attaching the unit to the wall at the top.

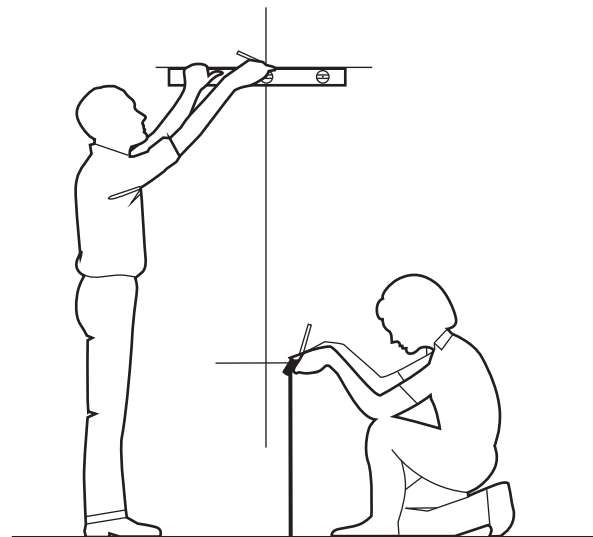
Once you have located the studs between or over which you will mount your Slim-Line draw a straight horizontal line 75 1/2" (1.92m) inches from the floor. This line will either straddle a stud or be between two studs. Locate as closely as possible the center point.

At the center point of the horizontal line draw a vertical line 6" (152.40mm) that intersects your horizontal line.

From your horizontal line measure down 42 3/4" (1.09 meters) inches and mark the wall. Using the level make a horizontal line at this point.

At the center point of the horizontal line draw a vertical line 6" (152.40mm) that intersects your horizontal line.

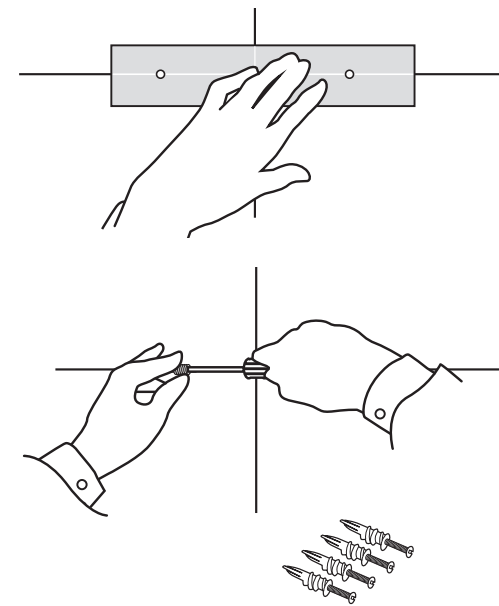
Important! Make certain that both vertical lines - the one at the top and the one at the bottom - are perfectly aligned.



3. Positioning Where to Drill the Holes

Using the template provided, align the horizontal and vertical lines. With a pencil, nail punch, nail or other pointed tool mark the two points where the drywall anchors will be inserted.

Repeat this process where you have marked the horizontal and intersecting vertical lines at the lower part of the wall.



4. Installing the Drywall Anchors

Using a nail punch or large nail, punch a small hole at the point on the wall - both top and bottom - where the drywall anchors are to be inserted. This starter hole will provide better accuracy when setting the anchor.

Now, screw the anchor into the wall using a Phillips head screw driver until the head of the anchor is flush with the wall. Some minor tearing or distortion of the drywall surface may occur. This is not a problem and is to be expected.

This process can also be accomplished by using a screwdriver attachment with a power drill, or with a screw gun. Be careful not to over insert the anchor and strip the Phillips head area of the anchor in case you need to extract the anchor at a later point.

Over tightening is possible especially with when using power tools. Be careful. The anchors should fit tightly and not wiggle.

Complete this process on all four anchors.

You are now ready to mount your Slim-Line to the wall.

5. Mounting the cabinet to the wall

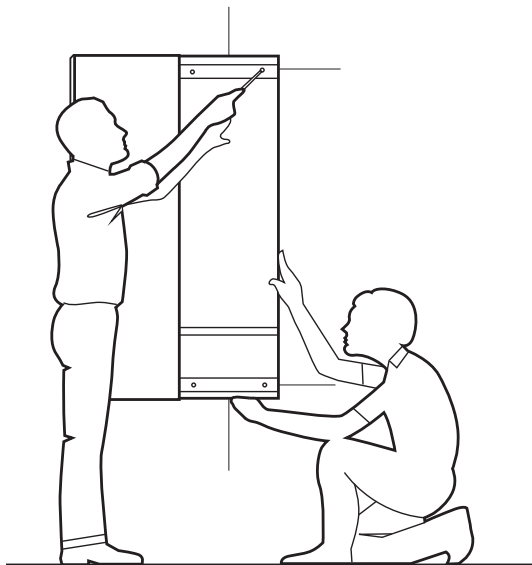
It is recommended that you have someone assist you with this step.

Insert two of the four screws that came with your unit into the top holes in the Slim-Line until each screw slightly protrudes from the back of the unit. Carefully lift your unit into place and align the screws with the openings in the drywall anchors.

Tighten each screw into the drywall anchor until the unit is snug against the wall. **DO NOT OVER TIGHTEN THE SCREWS.** Over tightening the screw in the drywall anchor may strip the anchor and severely weaken the mount.

Repeat the process on the two lower holes.

Congratulations! You are now ready to enjoy your Slim-Line ironing board.



HIDE AWAY
Slim-Line
Low profile wall mounted ironing board

C&A INTERNATIONAL, LLC
2711 W. Concord St., Broken Arrow, OK 74012
Office: 918.872.1645 • Fax: 918.872.7823
Toll Free: 866.421.1873
www.candainternational.com